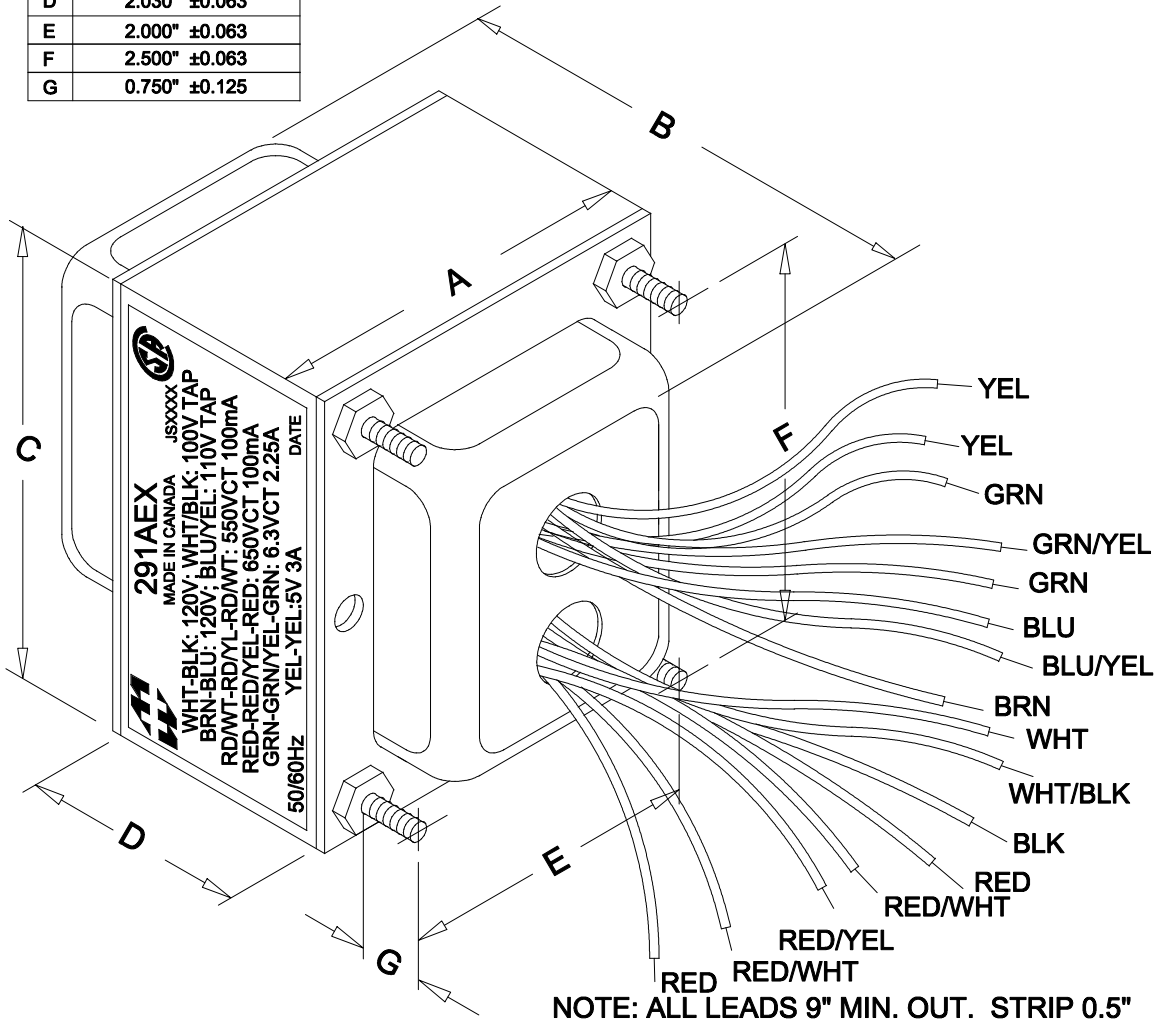
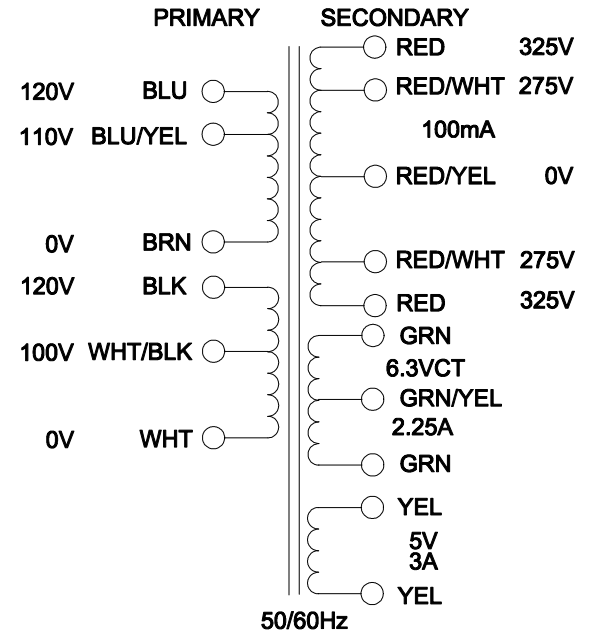


DIMENSIONS:	
A	2.500" ±0.063
B	3.625" ±0.125
C	3.000" ±0.063
D	2.030" ±0.063
E	2.000" ±0.063
F	2.500" ±0.063
G	0.750" ±0.125



NOTE: ALL LEADS 9" MIN. OUT. STRIP 0.5"



ELECTRICAL DATA:		
TESTS	CONDITIONS	ACCEPTANCE CRITERIA
I _{ex}	@ 120V, 60Hz, WHT - BLK	285mA Max.
Sec. N.L.V	@ 120V, 60Hz, WHT - BLK	
	WHT - WHT/BLK =	100.2V ±2%
	BRN - BLU =	120.0V ±2%
	BRN - BLU/YEL =	110.1V ±2%
	RED - RED/YEL = RED/YEL - RED =	341.8V ±2%
	RED - RED =	683.5V ±2%
	RD/WT - RD/YL = RD/YL - RD/WT =	289.4V ±2%
	RED/WHT - RED/WHT =	578.7V ±2%
	GRN - GRN/YEL = GRN/YEL - GRN =	3.418V ±2%
	GRN - GRN =	6.835V ±2%
	YEL - YEL =	5.316V ±2%
DCR	@ 20°C, WHT - BLK =	7.109 Ω ±20%
	@ 20°C, BRN - BLU =	7.567 Ω ±20%
	@ 20°C, RED - RED =	237.3 Ω ±20%
	@ 20°C, GRN - GRN =	0.123 Ω ±20%
	@ 20°C, YEL - YEL =	0.063 Ω ±20%
HIPOT	PRIMARY - SECONDARY	3000V, 60Hz, 1 SEC

REV.#	REVISION	DATE
0	RELEASED.	C.I. 01/10/18
1	ADDED PRI. TAPS. CURRENT FOR 6.3V WDG WAS 2A.	C.I. 01/22/18

HAMMOND ELECTRONIC DIVISION
MANUFACTURING
 52 RANKIN PLACE, WATERLOO, ONTARIO, N2J 3Z5
 PH # (519) 886-6181 FAX # (519) 886-9540

DWG. BY: C. ILIE CHK'D BY: TITLE: POWER TRANSFORMER
 DATE: 01/10/18 APP'D. BY: DWG. NO. 291AEX
 DIMENSIONS: IN(X) MM()