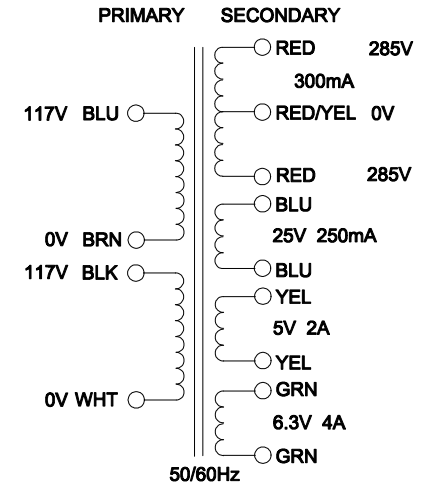
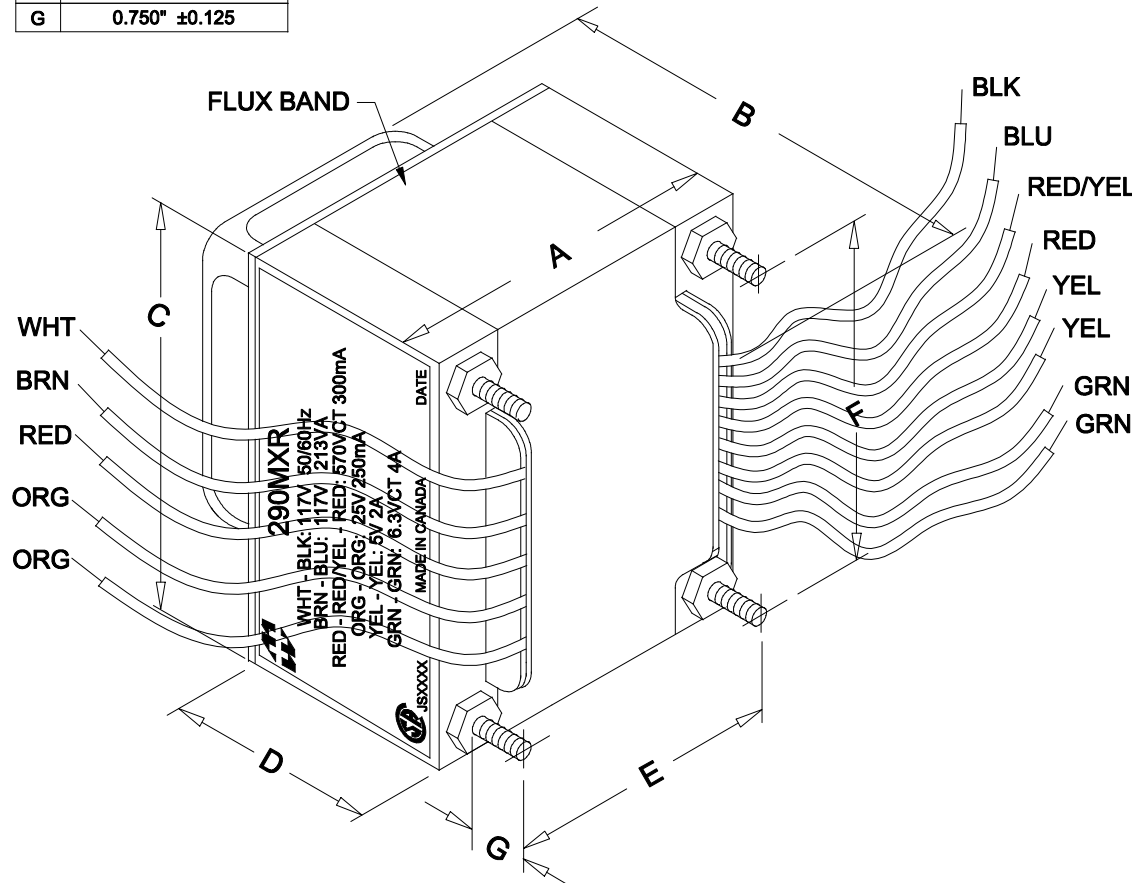


DIMENSIONS:

A	3.125" ±0.063
B	4.468" ±0.125
C	3.750" ±0.063
D	2.430" ±0.063
E	2.500" ±0.063
F	3.125" ±0.063
G	0.750" ±0.125



NOTE: ALL LEADS 12" MIN. OUT. STRIP 0.5"

ELECTRICAL DATA:		
TESTS	CONDITIONS	ACCEPTANCE CRITERIA
Iex	@ 117V, 60Hz, WHT - BLK	275mA Max.
Sec. N.L.V	@ 117V, 60Hz, WHT - BLK	
	BRN - BLU =	120.0V ±2%
	RED - RED =	730.9V ±2%
	RED - RED/YEL = RED/YEL - RED =	365.4V ±2%
	YEL - YEL =	5.436V ±2%
	GRN - GRN =	6.690V ±2%
DCR	@ 20°C, WHT - BLK =	3.238 Ω ±20%
	@ 20°C, BRN - BLU =	3.529 Ω ±20%
	@ 20°C, RED - RED =	96.89 Ω ±20%
	@ 20°C, YEL - YEL =	0.048 Ω ±20%
	@ 20°C, GRN - GRN =	0.039 Ω ±20%
HIPOT	PRIMARY - SECONDARY	3000V, 60Hz, 1 SEC

REV.#	REVISION	DATE
0	PRELIMINARY	C.I. 06/24/20

HAMMOND ELECTRONIC DIVISION
MANUFACTURING
 52 RANKIN PLACE, WATERLOO, ONTARIO, N2J 3Z5
 PH # (519) 886-6181
 FAX # (519) 886-9540

DWG. BY: C. ILIE
 DATE: 06/24/20

CHK'D BY:
 APP'D. BY:

TITLE: POWER TRANSFORMER

DWG. NO. 290MXR