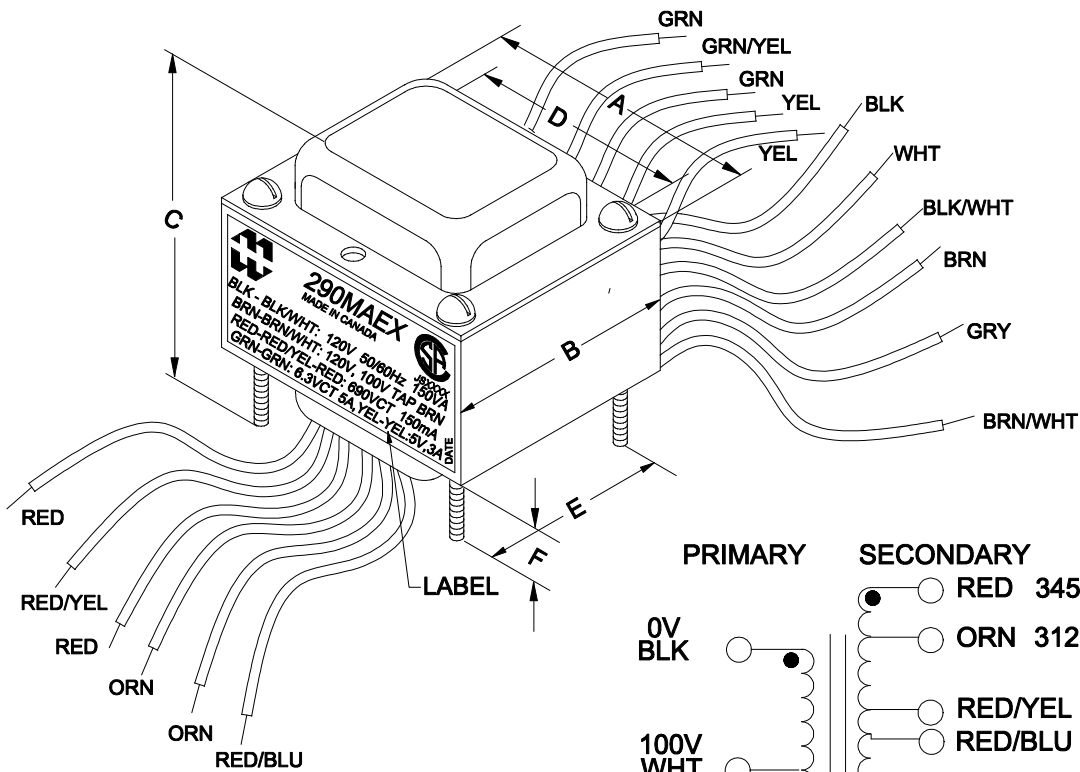
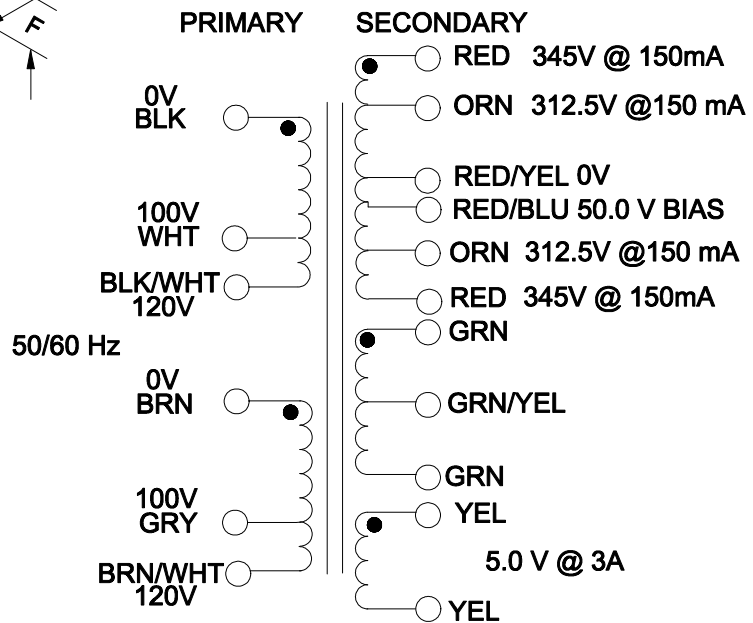


290MAEX



NOTE: ALL LEADS 20.0" MIN. OUT. STRIP 0.5"

DIMENSIONS:	
A	4.500" ±0.063
B	3.130" ±0.063
C	4.000" ±MAX
D	3.750" ±0.063
E	3.000" ±0.063
F	0.375" MIN



ELECTRICAL DATA:	
Exciting Current	@ 120V, 60Hz, BLK - BLK/WHT 290mA Max.
DCR	@ 25C, BLK - BLK/WHT = 4.21 Ω ±20%
	@ 25C, BRN - BRN/WHT = 4.54 Ω ±20%
	@ 25C, RED - RED = 123.0 Ω ±20%
	@ 25C, GRN - GRN = 0.037 Ω ±20% YEL-YEL = 0.064
Pri. Voltage	100V/120V/220/240V 50/60Hz
Sec. Voltage (RMS)	690VCT @ 150mA, typ. (213mA MAX) OR TAP 625VCT @ 150mA, typ. (213mA MAX) 6.3VCT @ 5A, 5.0Vac @ 3.0A
No Load Voltage	729.1V / 660.0 V / 6.66V / 5.41 V

HAMMOND ELECTRONICS
 52 RANKIN PLACE,
 WATERLOO, ONTARIO, N2L 3Z5.
 PHONE (519) 886-6181
 FAX # (519) 886-9540

TITLE		POWER TRANSFORMER	
		DR BY	D.HUTT
		DATE	OCTOBER 15, 2020
NO	DATE	REVISION	DIM IN(X)MM()

290MAEX