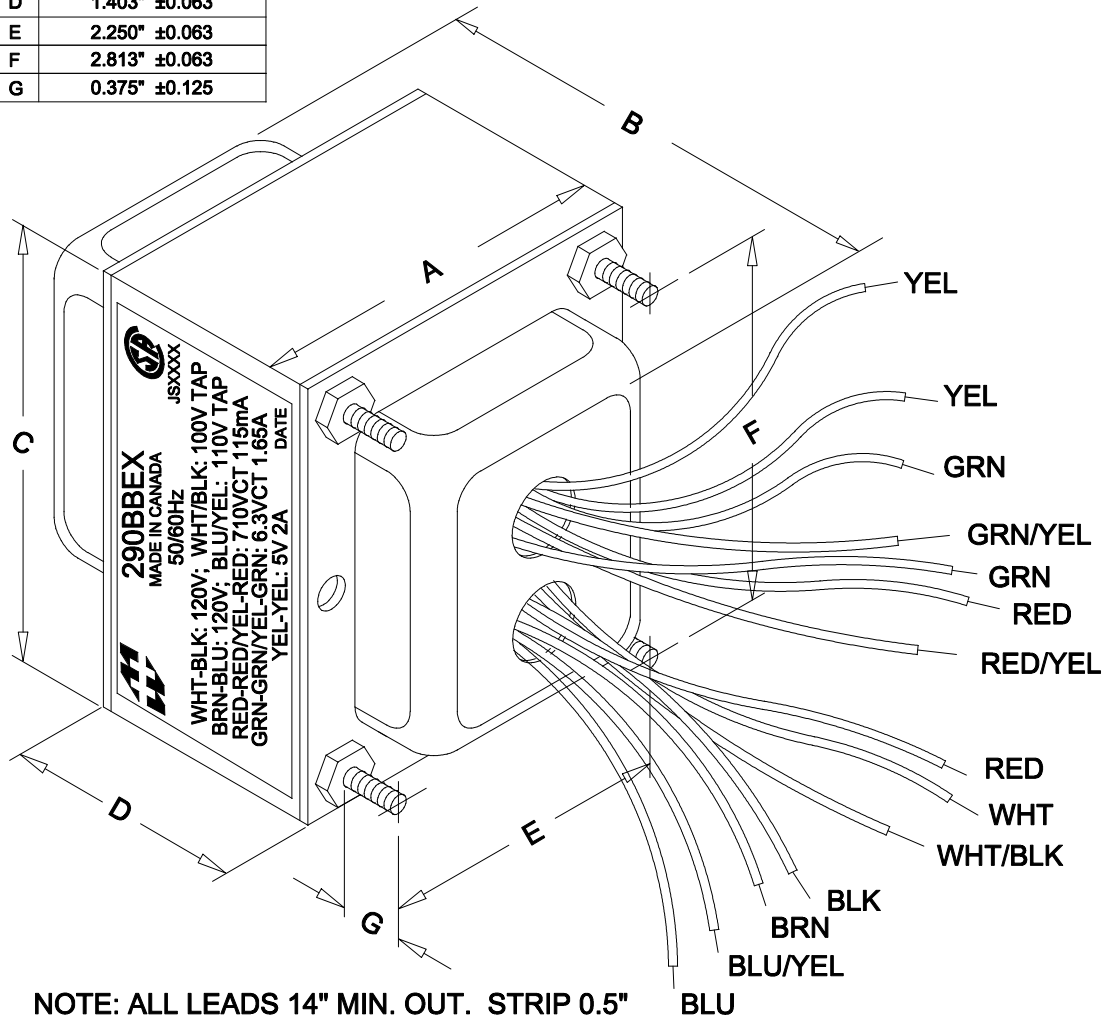
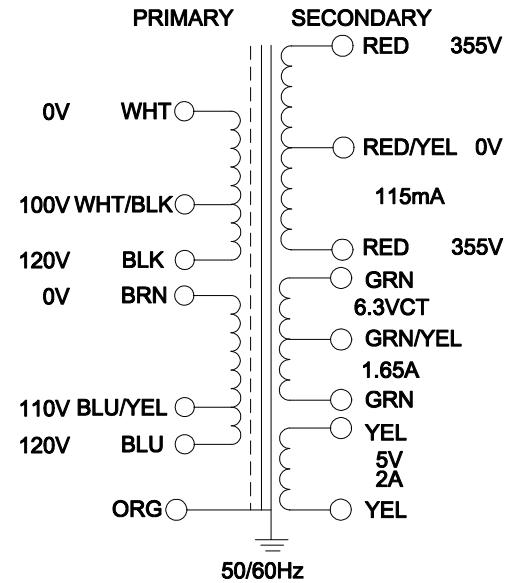


DIMENSIONS:	
A	2.813" ±0.063
B	3.341" ±0.125
C	3.375" ±0.063
D	1.403" ±0.063
E	2.250" ±0.063
F	2.813" ±0.063
G	0.375" ±0.125



NOTE: ALL LEADS 14" MIN. OUT. STRIP 0.5"



ELECTRICAL DATA:		
TESTS	CONDITIONS	ACCEPTANCE CRITERIA
I _{ex}	@ 120V, 60Hz, WHT - BLK	150mA Max.
Sec. N.L.V	@ 120V, 60Hz, WHT - BLK	
	WHT - WHT/BLK =	100.0V ±2%
	BRN - BLU/YEL =	110.2V ±2%
	BRN - BLU =	120.0V ±2%
	RED - RED/YEL = RED/YEL - RED =	382.8V ±2%
	RED - RED =	765.5V ±2%
	GRN - GRN/YEL = GRN/YEL - GRN =	3.385V ±2%
	GRN - GRN =	6.769V ±2%
	YEL - YEL =	5.538V ±2%
DCR	@ 20°C, WHT - BLK =	7.518 Ω ±20%
	@ 20°C, BRN - BLU =	8.224 Ω ±20%
	@ 20°C, RED - RED =	238.1 Ω ±20%
	@ 20°C, GRN - GRN =	0.141 Ω ±20%
	@ 20°C, YEL - YEL =	0.119 Ω ±20%
HIPOT	PRIMARY - SECONDARY	3000V, 60Hz, 1 SEC

REV.#	REVISION	DATE
0	RELEASED.	C.I. 10/09/18

HAMMOND MANUFACTURING ELECTRONIC DIVISION
 52 RANKIN PLACE, WATERLOO, ONTARIO, N2J 3Z5
 PH # (519) 886-6181 FAX # (519) 886-9540

DWG. BY: C. ILIE	CHK'D BY:	TITLE: POWER TRANSFORMER	DWG. NO. 290BBEX
DATE: 10/09/18	APP'D. BY:		
	DIMENSIONS: IN(X) MM()		