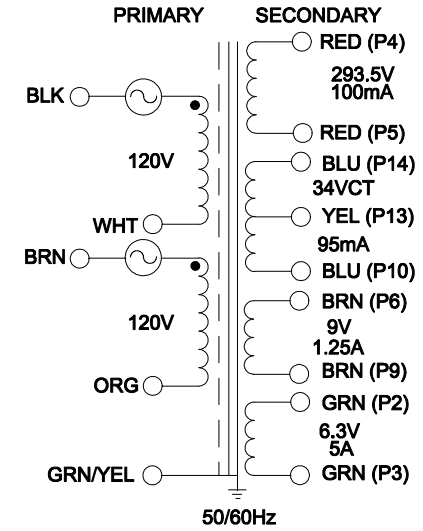
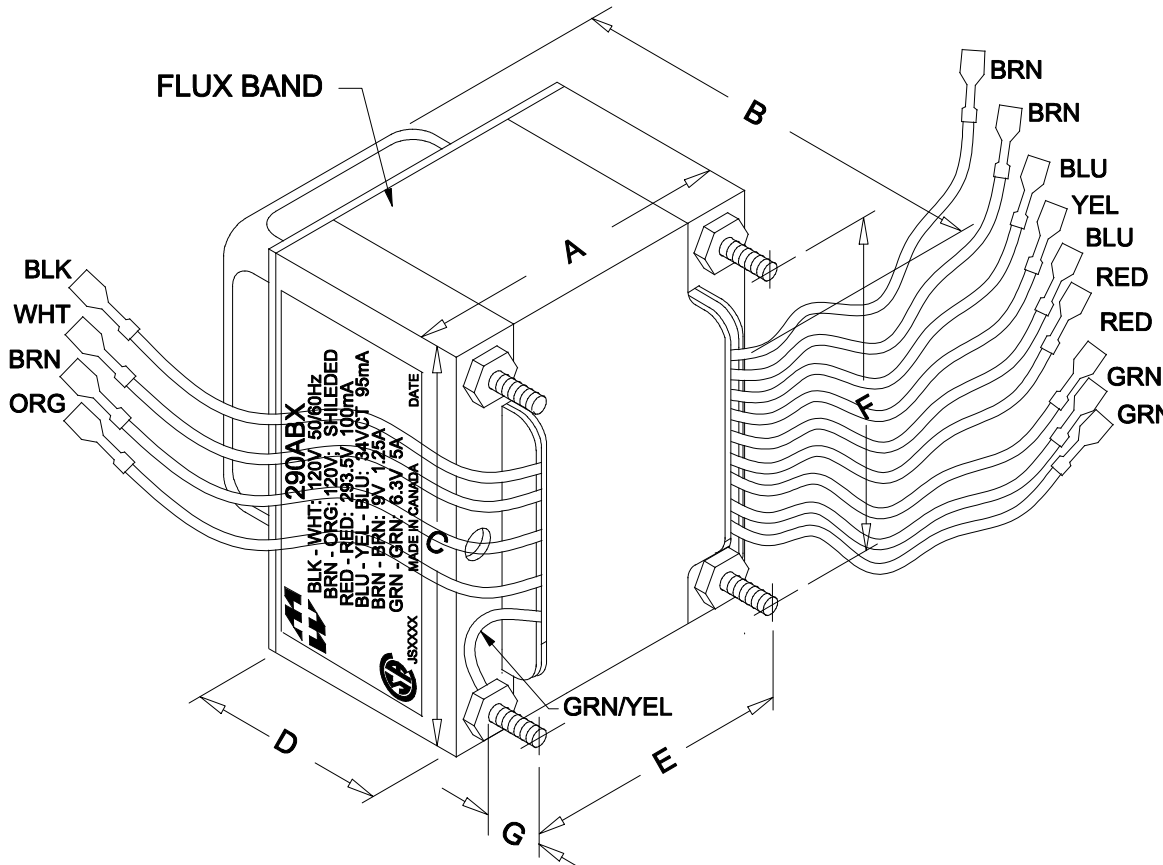


DIMENSIONS:	
A	2.500" ±0.063
B	2.900" ±0.125
C	3.000" ±0.063
D	1.250" ±0.063
E	2.000" ±0.063
F	2.500" ±0.063
G	0.550" ±0.125



FOR 240V: CONNECT WHT & BRN TOGETHER
 INPUT: BLK - ORG
 FOR 120V: CONNECT BLK & BRN, WHT & ORG TOGETHER
 INPUT: BLK, BRN - WHT, ORG

ELECTRICAL DATA:		
TESTS	CONDITIONS	ACCEPTANCE CRITERIA
lex	@ 120V, 60Hz, BLK - WHT	120mA Max.
Sec. N.L.V	@ 120V, 60Hz, BLK - WHT	
	BRN - ORG =	120.0V ±2%
	RED - RED =	313.2V ±2%
	BLU - YEL = YEL - BLU =	18.11V ±2%
	BLU - BLU =	36.23V ±2%
	BRN - BRN =	10.06V ±2%
	GRN - GRN =	7.547V ±2%
DCR	@ 20°C, BLK - WHT =	12.93 Ω ±20%
	@ 20°C, BRN - ORG =	14.03 Ω ±20%
	@ 20°C, RED - RED =	65.47 Ω ±20%
	@ 20°C, BLU - BLU =	8.153 Ω ±20%
	@ 20°C, BRN - BRN =	0.461 Ω ±20%
	@ 20°C, GRN - GRN =	0.091 Ω ±20%
HIPOT	PRIMARY - SECONDARY	2000V, 60Hz, 1 SEC

NOTE: ALL LEADS TERMINATED WITH FAST-ON TERMINALS ARE 12" MIN. OUT.

REV.#	REVISION	DATE
0	PRELIMINARY.	C.I. 09/07/17
1	ADDED Pxx DESIGNATIONS TO LEAD COLORS.	C.I. 09/11/17
2	RELEASED.	C.I. 10/30/17

HAMMOND ELECTRONIC DIVISION
MANUFACTURING
 52 RANKIN PLACE, WATERLOO, ONTARIO, N2J 3Z5
 PH # (519) 886-6181 FAX # (519) 886-9540

DWG. BY: C. ILIE CHK'D BY: TITLE: POWER TRANSFORMER
 DATE: 09/07/17 APP'D. BY: DIMENSIONS: IN(X) MM() DWG. NO. 290ABX