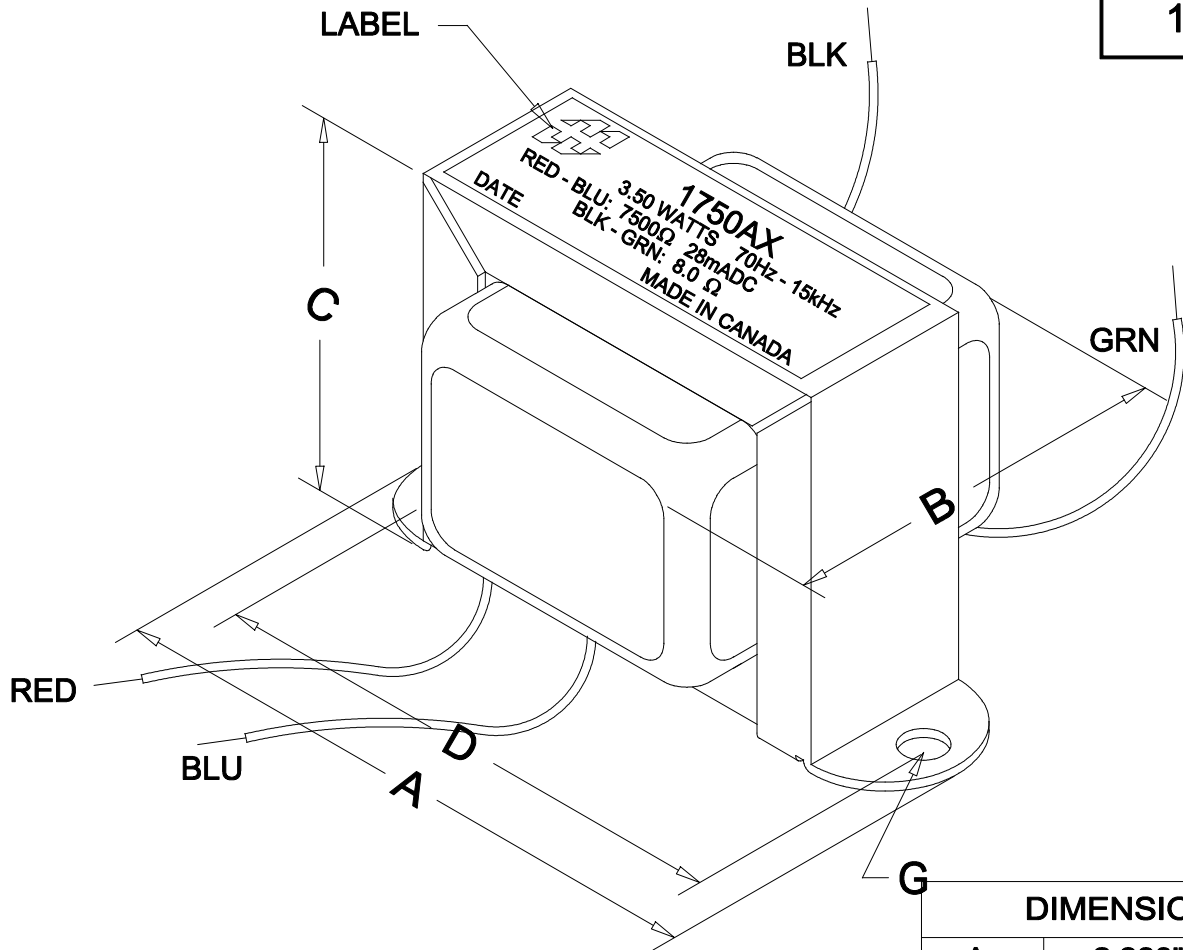
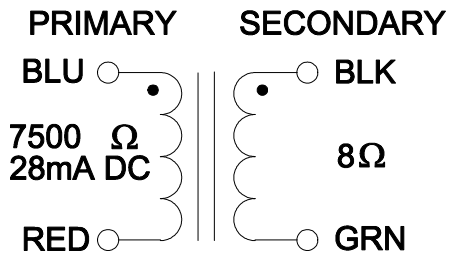


1750AX



DIMENSIONS:	
A	2.380" ±0.063
B	1.650" MAX
C	1.400" ±0.063
D	2.000" ±0.063
G	0.187" ±0.015



**ELECTRICAL DATA:**

Turns ratio:	30.70 : 1
Inductance	@ 162V, 400Hz =>63.66H (Open circuit)
DCR	@ 20°C BLU - RED =345 Ω ±20%
	@ 20°C BLK - GRN =0.699 Ω ±20%
FREQ. RESP	@ 3.5W, 70Hz - 15kHz ±1dB (1kHz Ref.)
Pri. Impedance	7,500 Ω
Sec. Impedance	8Ω
Power	3.5 WATTS



**HAMMOND  
ELECTRONICS**

52 RANKIN PLACE,  
WATERLOO, ONTARIO, N2L 3Z5.  
PHONE (519) 886-6181  
FAX # (519) 886-9540

TITLE  
**OUTPUT TRANSFORMER 3.5W**

			DR BY D.H.
0	24/07/17	PRELIMINARY.	DATE 24/07/17
NO	DATE	REVISION	DIM IN(X)MM( )

1750AX