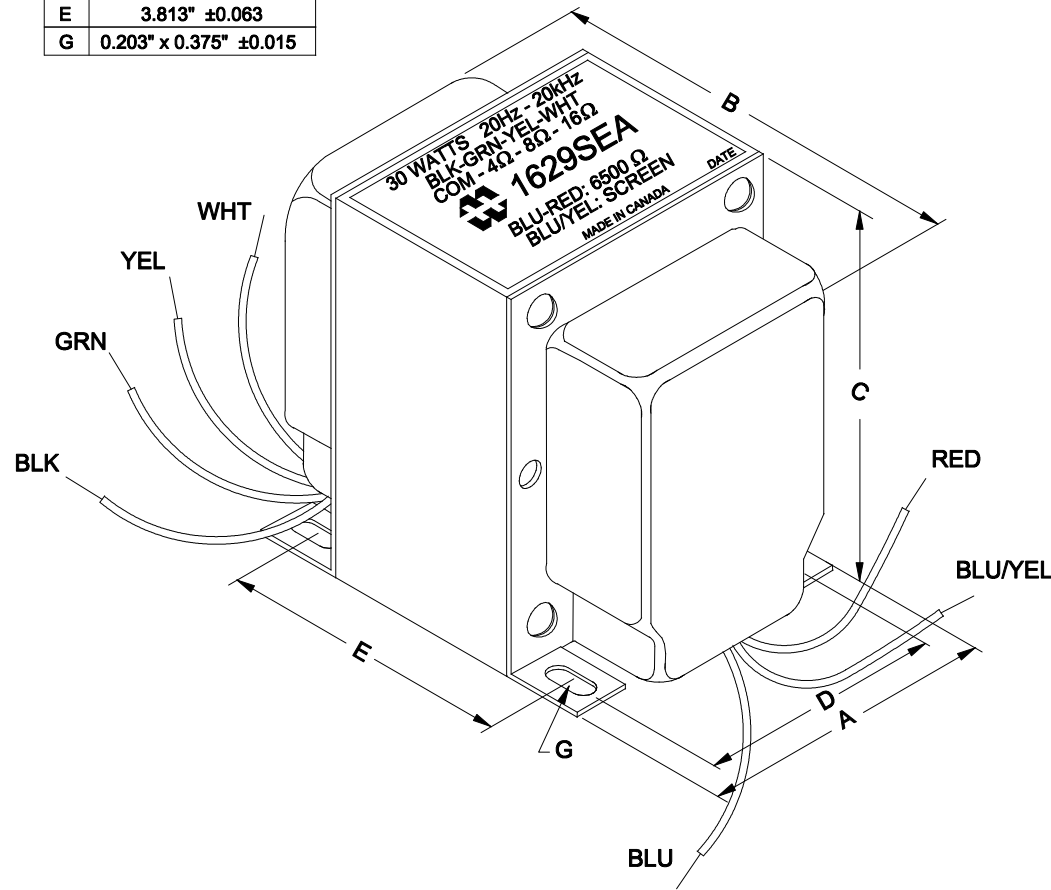
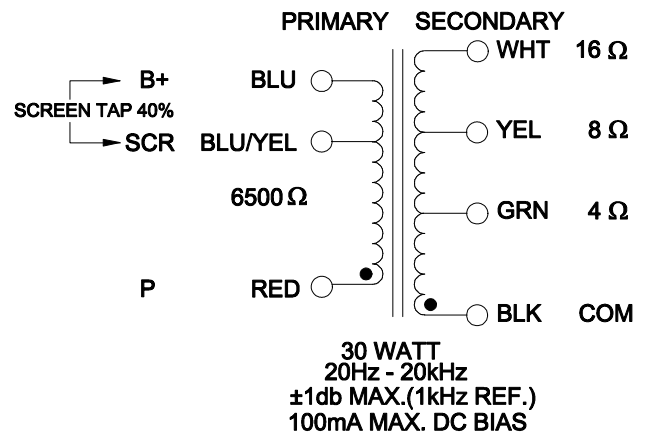


DIMENSIONS:	
A	3.750" ±0.063
B	4.935" ±0.125
C	4.560" ±0.063
D	3.000" ±0.063
E	3.813" ±0.063
G	0.203" x 0.375" ±0.015



NOTE: ALL LEADS 8" OUT MIN.



ELECTRICAL DATA:		
TESTS	CONDITIONS	ACCEPTANCE CRITERIA
lex	@ 240V, 60Hz, RED - BLU	14.11mA Max.
Sec. N.L.V	@ 442V, 60Hz, RED - BLU	
	RED - BLU/YEL =	265.2V ±2%
	BLU/YEL - BLU =	176.8V ±2%
	BLK - GRN =	10.95V ±2%
	BLK - YEL =	15.57V ±2%
	BLK - WHT =	21.91V ±2%
DCR	@ 20°C, RED - BLU =	194.2 Ω ±20%
	@ 20°C, BLK - WHT =	0.624 Ω ±20%
HIPOT	PRIMARY - SECONDARY	2828VDC, 1 SEC

REV.#	REVISION	DATE
0	RELEASED.	C.I. 11/29/16

HAMMOND MANUFACTURING™	ELECTRONIC DIVISION 52 RANKIN PLACE, WATERLOO, ONTARIO, N2J 3Z5		PH # (519) 886-6181 FAX # (519) 886-9540
	DWG. BY: C. ILIE DATE: 11/29/16	CHK'D BY: APP'D. BY: DIMENSIONS: IN(X) MM()	TITLE: SINGLE ENDED "CLASSIC" TUBE OUTPUT ULTRA-LINEAR TRANSFORMER