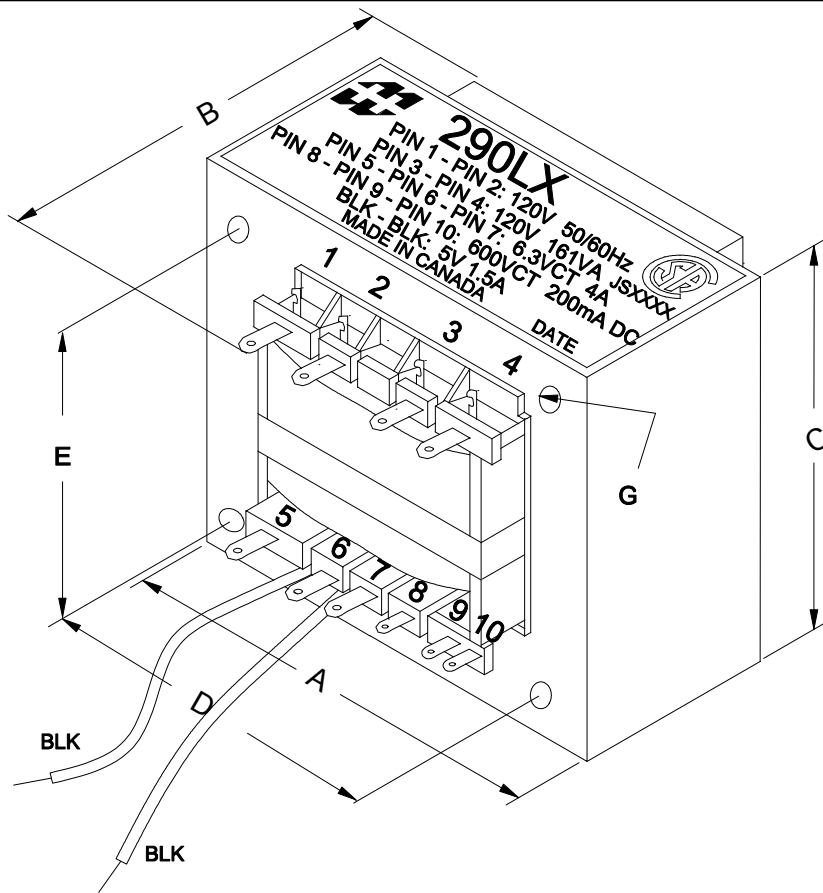
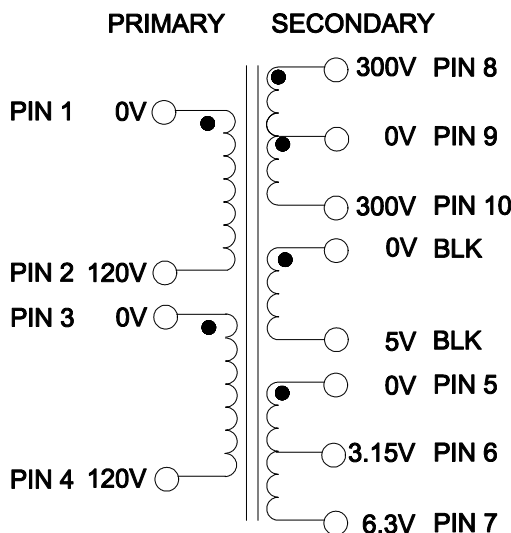


290LX



| DIMENSIONS: |               |
|-------------|---------------|
| A           | 3.780" ±0.063 |
| B           | 4.050" ±0.063 |
| C           | 3.160" ±0.063 |
| D           | 3.150" ±0.063 |
| E           | 2.510" ±0.063 |
| G           | 0.215" ±0.010 |



| ELECTRICAL DATA: |   |
|------------------|---|
| Turns ratio:     | 1 : 5.49 ( PIN8 - PIN10 )                 |
| Exciting Current | @ 120V, 60Hz, Pin 1 - Pin 2 = 220 mA Max. |
| DCR              | @ 20C, Pin 1 - Pin 2 = 3.42 Ω ±20%        |
|                  | @ 20C, Pin 3 - Pin 4 = 3.92 Ω ±20%        |
|                  | @ 20C, Pin 8 - Pin 10 = 77.8 Ω ±20%       |
|                  | @ 20C, BLK - BLK = 0.088 Ω ±20%           |
|                  | @ 20C, Pin 5 - Pin 7 = 0.047 Ω ±20%       |
| Pri. Voltage     | 120V/240V                                 |
| Sec. Voltage     | 600VCT 200mADC/5V 1.5A/6.3VCT 4A          |
| No Load Voltage  | 659.26V / 5.39V / 6.86V                   |
| Power            | 161 WATTS                                 |



**HAMMOND  
ELECTRONICS**

52 RANKIN PLACE,  
WATERLOO, ONTARIO, N2L 3Z5.  
PHONE (519) 886-6181  
FAX # (519) 886-9540

| TITLE             |          |              |                       | 290LX |
|-------------------|----------|--------------|-----------------------|-------|
| POWER TRANSFORMER |          |              |                       |       |
|                   |          |              | DR BY<br>IOAN POP     |       |
| 0                 | 05/12/09 | PRELIMINARY. | I.P. DATE<br>05/12/09 |       |
| NO                | DATE     | REVISION     | DIM IN(X)MM( )        |       |