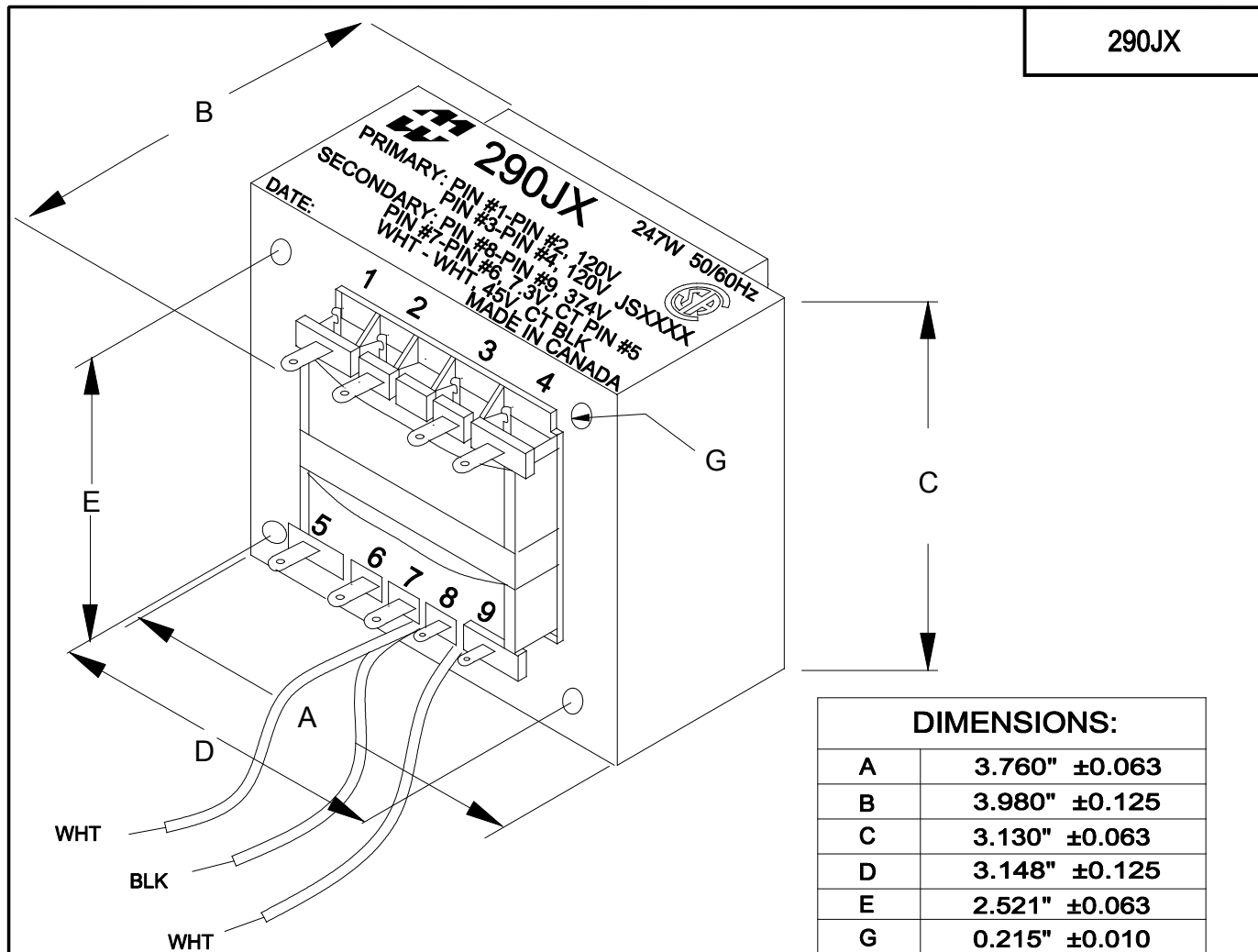
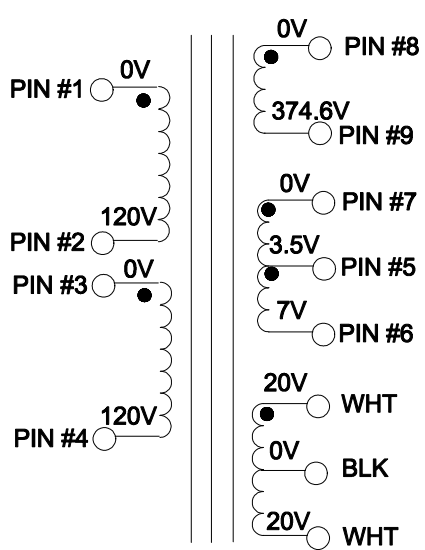


290JX



DIMENSIONS:	
A	3.760" ±0.063
B	3.980" ±0.125
C	3.130" ±0.063
D	3.148" ±0.125
E	2.521" ±0.063
G	0.215" ±0.010



ELECTRICAL DATA:	
Turns ratio:	1 : 3.12 (PIN8 - PIN9)
Exciting Current	@ 120V, 60Hz, Pin 1 - Pin 2 = 200mA Max.
DCR	@ 25C, Pin 1 - Pin 2 = 2.18 Ω ±20%
	@ 25C, Pin 3 - Pin 4 = 2.495Ω ±20%
	@ 25C, Pin 5 - Pin 6 = 14.9 Ω ±20%
	@ 25C, Pin 7 - Pin 9 = 0.02 Ω ±20%
	@ 25C, WHT - WHT = 4.02 Ω ±20%
Pri. Voltage	120V / 120V
Sec. Voltage	361V 150mA / 43.3VCT 100mA / 7VCT 7A
No Load Voltage	374.6V / 45VCT / 7.3VCT
Power	247 WATTS

HAMMOND MANUFACTURING
 52 RANKIN PLACE,
 WATERLOO, ONTARIO, N2L 3Z5.
 PHONE (519) 886-6181
 FAX # (519) 886-9540
 WWW.HAMMONDMFG.COM

TITLE		POWER TRANSFORMER	
DR BY	SAID MANSOUR	290JX	
DATE	04/11/08		
NO	DATE	REVISION	DIM IN(X)MM()
0	04/11/08	PRELIMINARY.	S.M.