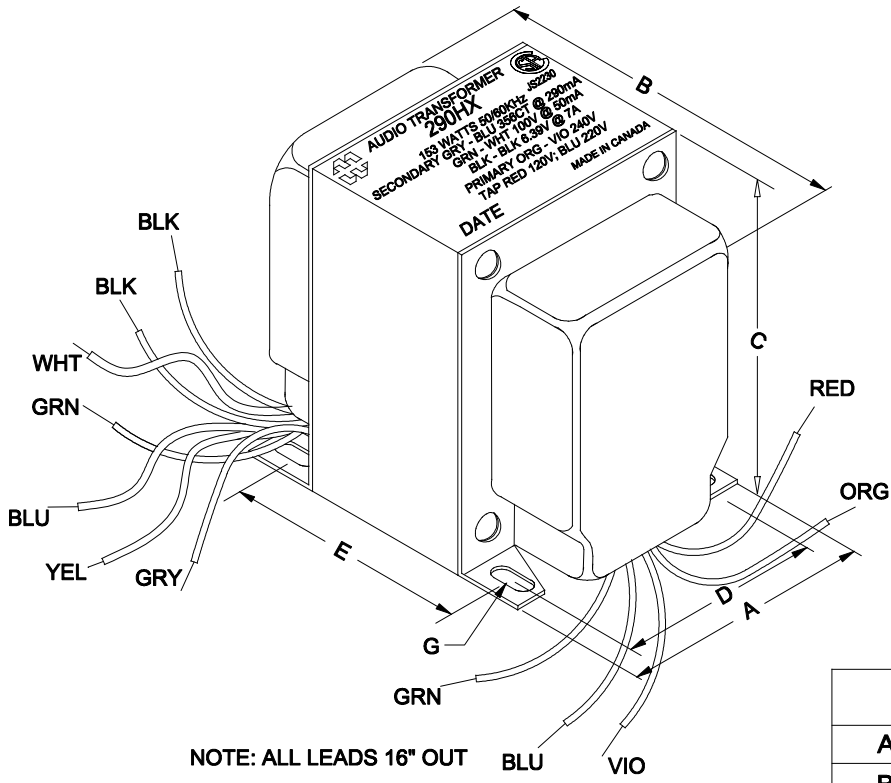
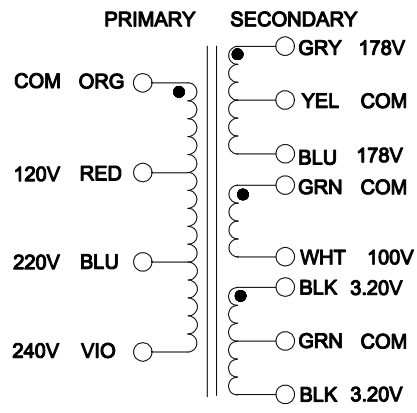


290HX



NOTE: ALL LEADS 16" OUT

DIMENSIONS:	
A	3.750" ±0.063
B	4.270" ±MAX
C	4.530" ±MAX
D	3.215" ±0.063
E	3.234" ±0.063
G	0438" x 0215" ±0.015



ELECTRICAL DATA:	
Turns ratio:	1 : 1.12 (GRY - BLU)
Exciting Current	@ 120V, 60Hz, ORG - RED = 200mA Max.
DCR	@ 25C, ORG - VIO = 4.83 Ω ±20%
	@ 25C, GRY - BLU = 21.08 Ω ±20%
	@ 25C, GRN - WHT = 52.17 Ω ±20%
	@ 25C, BLK - BLK = 0.026 Ω ±20%
Pri. Voltage	120V/220V/240V
Sec. Voltage	356VCT 290mA / 100V 50mA / 6.39VCT 7A
No Load Voltage	368VCT / 103.8V / 6.68VCT
Power	153 WATTS

HAMMOND ELECTRONICS
 52 RANKIN PLACE,
 WATERLOO, ONTARIO, N2L 3Z5.
 PHONE (519) 886-6181
 FAX # (519) 886-9540

TITLE		POWER TRANSFORMER	
			DR BY IOAN POP
0	05/12/09	RELEASED	DATE 05/12/09
NO	DATE	REVISION	DIM IN(X)MM()

290HX