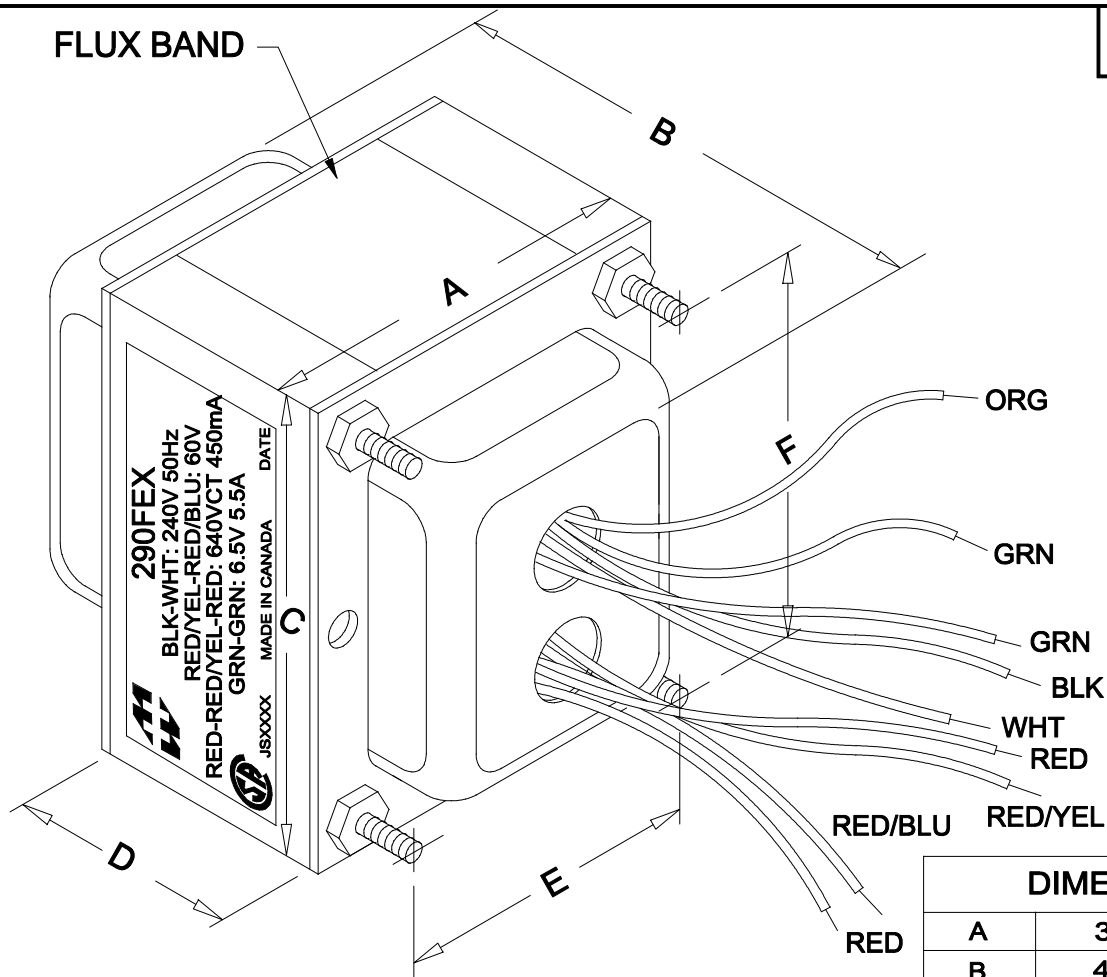


290FEX

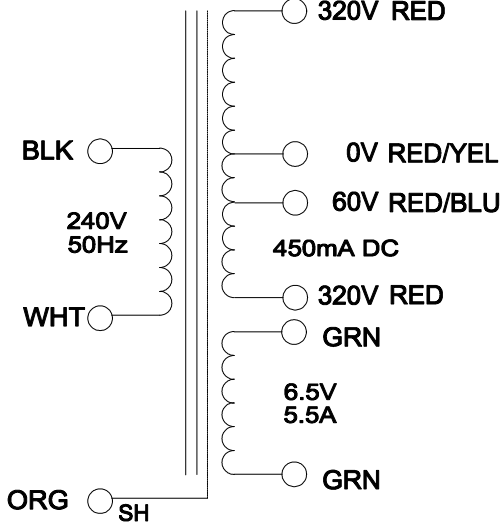


DIMENSIONS:	
A	3.750" ±0.063
B	4.690" ±0.125
C	4.500" ±0.063
D	2.370" ±0.063
E	3.000" ±0.063
F	3.750" ±0.063

NOTE: ALL LEADS 9" OUT MIN., STRIPPED .5"

PRIMARY SECONDARY

320V RED



ELECTRICAL DATA:

Turns ratio:	1 : 2.77 (RED - RED)	
Exciting Current	@ 240V, 50Hz, BLK - WHT = 255mA	Max.
DCR	@ 20C, WHT - BLK = 3.161 Ω	±20%
	@ 20C, RED - RED = 20.19 Ω	±20%
	@ 20C, GRN - GRN = 0.074 Ω	±20%
Pri. Voltage	240V	
Sec. Voltage	640VCT 450mA DC C/W 60V TAP, 6.5V 5.5A	
No Load Voltage	665.26VCT / 7.02V	
Power	367 WATTS	



52 RANKIN PLACE,
 WATERLOO, ONTARIO, N2L 3Z5.
 PHONE (519) 886-6181
 FAX # (519) 886-9540

TITLE Power Transformer

			DR BY IOAN POP
0	05/12/09	RELEASED	DATE 05/12/09
NO	DATE	REVISION	DIM IN(X)MM()

290FEX