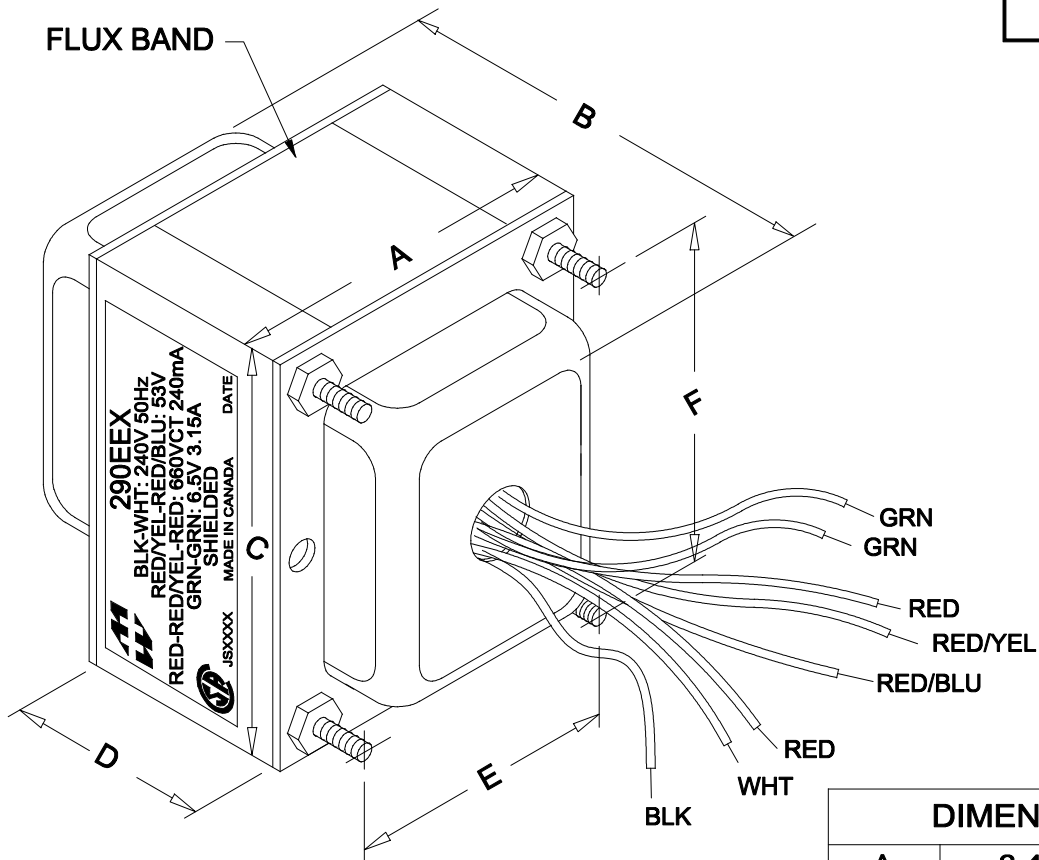
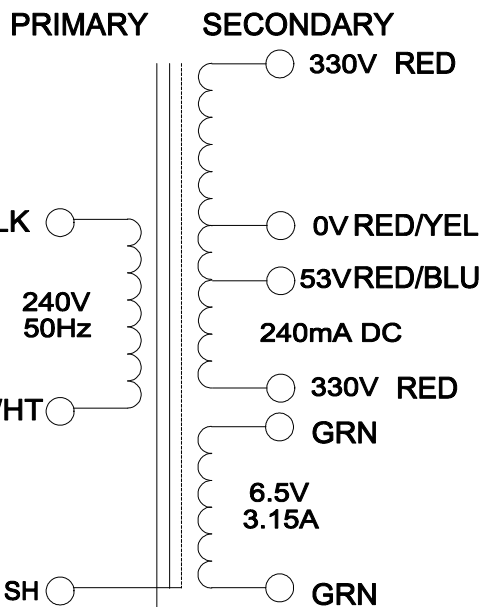


290EEX



DIMENSIONS:	
A	3.438" ±0.063
B	4.063" ±0.125
C	4.125" ±0.063
D	1.844" ±0.063
E	2.750" ±0.063
F	3.438" ±0.063

NOTE: ALL LEADS 9" OUT MIN., STRIPPED .5"



ELECTRICAL DATA:	
Turns ratio:	1 : 2.87 (RED - RED)
Exciting Current	@ 240V, 50Hz, BLK - WHT = 228mA Max.
DCR	@ 20C, BLK - WHT = 5.634 Ω ±20%
	@ 20C, RED - RED = 37.821Ω ±20%
	@ 20C, GRN - GRN = 0.102 Ω ±20%
Pri. Voltage	240V
Sec. Voltage	660VCT 240mA DC C/W 53V TAP , 6.5V 3.15A
No Load Voltage	688.70VCT/ 6.78V
Power	203 WATTS

HAMMOND MANUFACTURING

52 RANKIN PLACE,
 WATERLOO, ONTARIO, N2L 3Z5.
 PHONE (519) 886-6181
 FAX # (519) 886-9540

TITLE			
POWER TRANSFORMER			
			DR BY IOAN POP
0	05/12/09	PRELIMINARY.	I.P DATE 05/12/09
NO	DATE	REVISION	DIM IN(X)MM()

290EEX