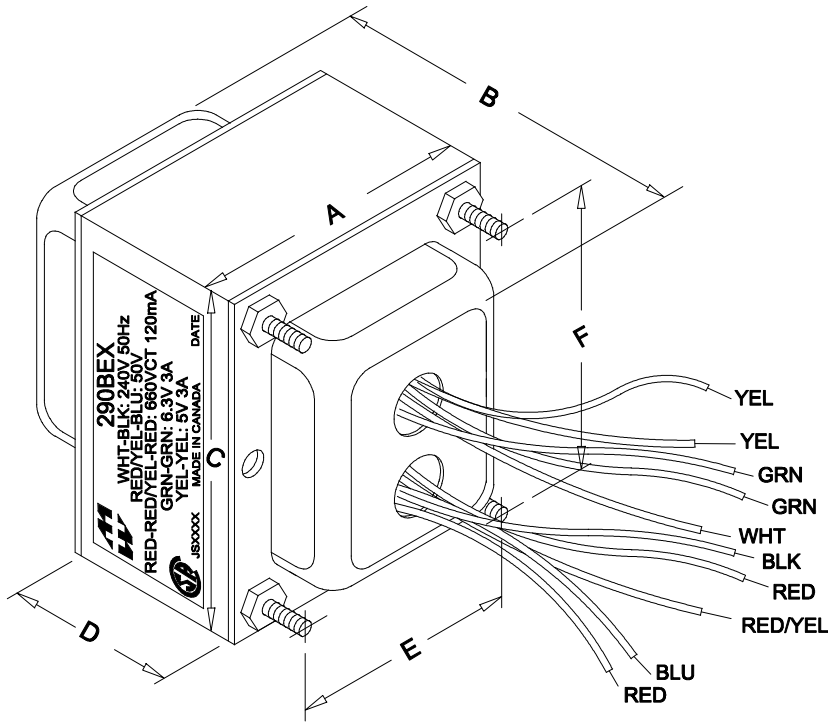


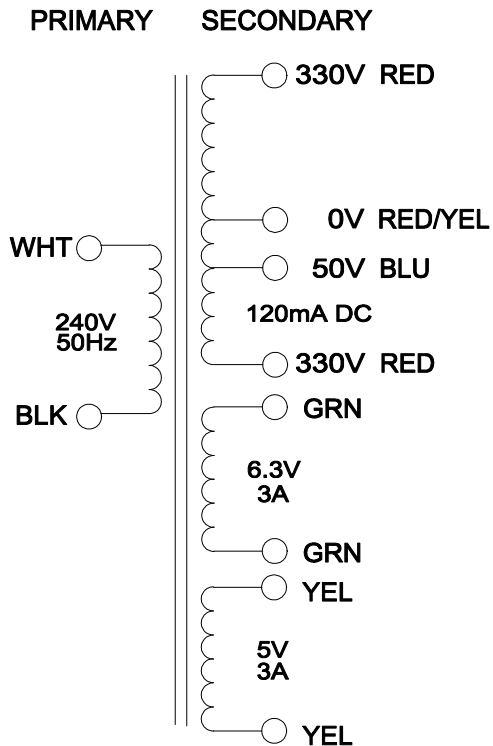
290BEX



NOTE: ALL LEADS 9" OUT MIN., STRIPPED .5"

DIMENSIONS:

A	2.813" ± 0.063
B	4.063" ± 0.125
C	3.375" ± 0.063
D	2.048" ± 0.063
E	2.250" ± 0.063
F	2.813" ± 0.063



ELECTRICAL DATA:

Turns ratio:	1 : 2.95 (RED - RED)	
Exciting Current	@ 240V, 50Hz, WHT - BLK = 165mA	Max.
DCR	@ 20C, WHT - BLK = 11.941 Ω	±20%
	@ 20C, RED - RED = 112.5 Ω	±20%
	@ 20C, GRN - GRN = 0.073 Ω	±20%
	@ 20C, YEL - YEL = 0.061 Ω	±20%
Pri. Voltage	240V	
Sec. Voltage	660VCT 120mA DC C/W 50V TAP, 6.3V 3A / 5V 3A	
No Load Voltage	701.89VCT/ 6.79V / 5.43V	
Power	125 WATTS	

HAMMOND ELECTRONICS
 52 RANKIN PLACE,
 WATERLOO, ONTARIO, N2L 3Z5.
 PHONE (519) 886-6181
 FAX # (519) 886-9540

TITLE

290BEX

290BEX

			DR BY IOAN POP
1	05/12/09	PRELIMINARY	DATE 05/12/09
NO	DATE	REVISION	DIM IN(X)MM()