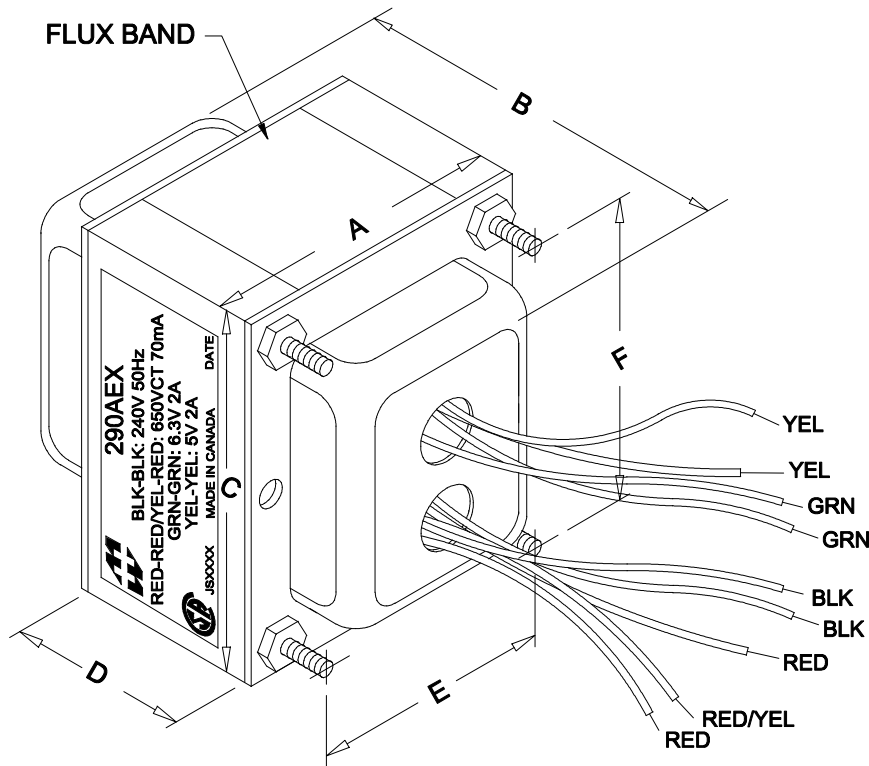


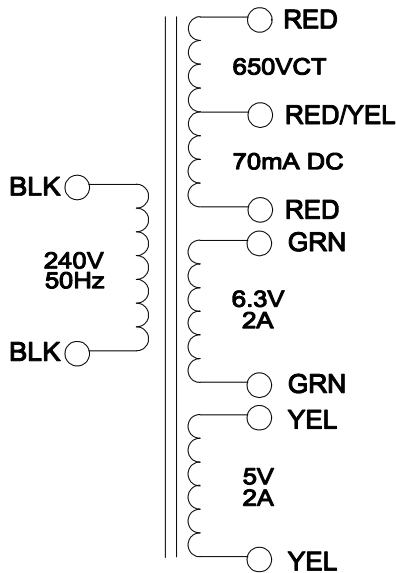
290AEX



DIMENSIONS:	
A	2.500" ±0.063
B	2.817" ±0.063
C	3.000" ±0.063
E	1.25" ±0.063
F	2.000" ±0.063
G	2.500" ±0.063

NOTE: ALL LEADS 9" OUT MIN., STRIPPED .5"

PRIMARY SECONDARY



ELECTRICAL DATA:

Turns ratio:	1 : 5.82 (RED - RED)
Exciting Current	@ 240V, 50Hz, BLK - BLK = 230mA Max.
DCR	@ 20C, BLK - BLK = 19.647 Ω ±20%
	@ 20C, RED - RED = 334.897 Ω ±20%
	@ 20C, GRN - GRN = 0.2135 Ω ±20%
	@ 20C, YEL - YEL = 0.176 Ω ±20%
Pri. Voltage	240V
Sec. Voltage	650VCT 70mA DC, 6.3V 2A / 5V 2A
No Load Voltage	698.6VCT / 6.76V / 5.35V
Power	75 WATTS



52 RANKIN PLACE,
WATERLOO, ONTARIO, N2L 3Z5.
PHONE (519) 886-6181
FAX # (519) 886-9540

TITLE POWER TRANSFORMER

			DR BY IOAN POP
0	05/12/09	PRELIMINARY.	I.P. DATE 05/12/09
NO	DATE	REVISION	DIM IN(X)MM()

290AEX